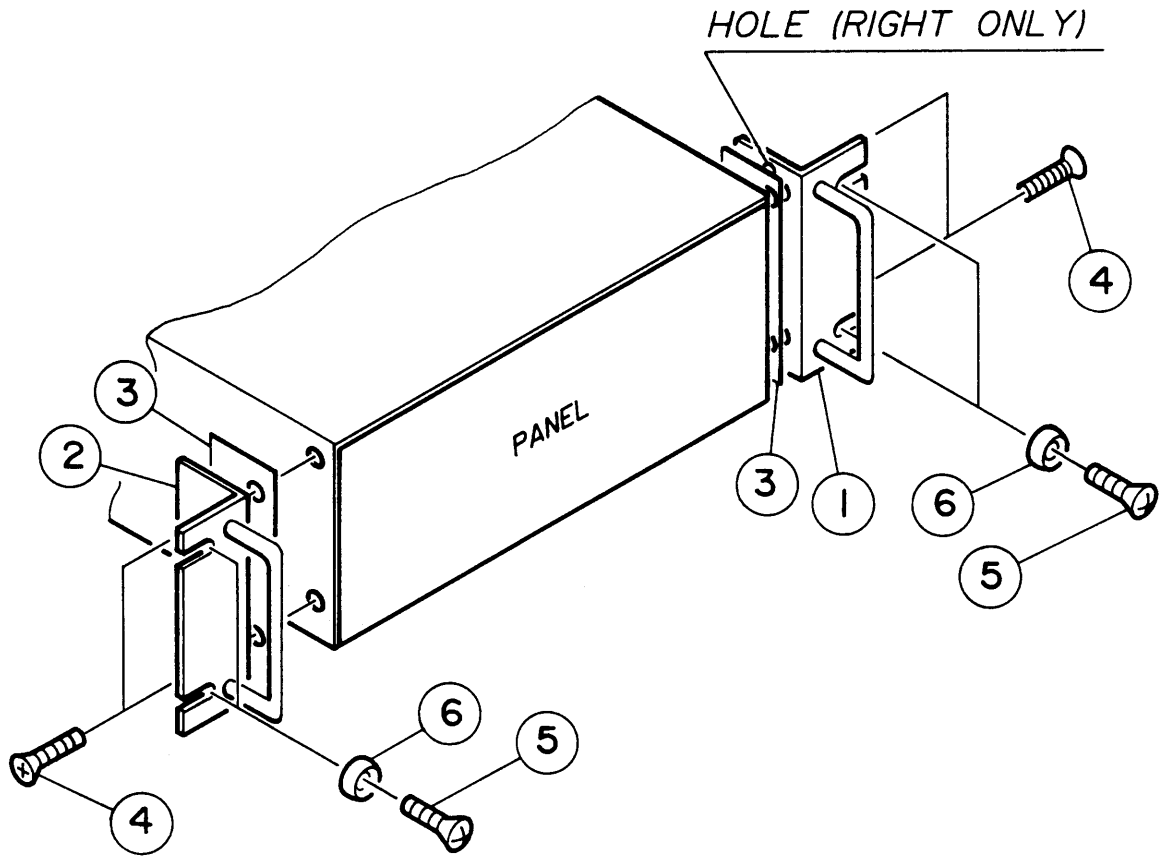


BRACKET BH3TM-1



NO.	DESCRIPTION	QTY	CODE NO.
1	BRACKET RIGHT BH3TM-1	1	G8-985-201
2	BRACKET LEFT BH3TM-1	1	G8-985-202
3	SPACER	2	Q1-071-132
4	SCREW,FLAT HEAD M4 0.7 12 S-ZN	4	M2-001-381
5	SCREW,OVAL HEAD M5 0.8 14 B-NI	4	M2-002-091
6	FINISHING WASHER 5CW	4	M5-003-031